



Carolina Material Handling, Inc.

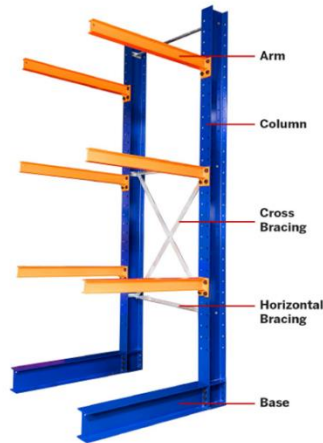
[WWW.CMH-INC.COM](http://WWW.CMH-INC.COM)

2209 Patterson Ct.

[SALES@CMH-INC.COM](mailto:SALES@CMH-INC.COM)

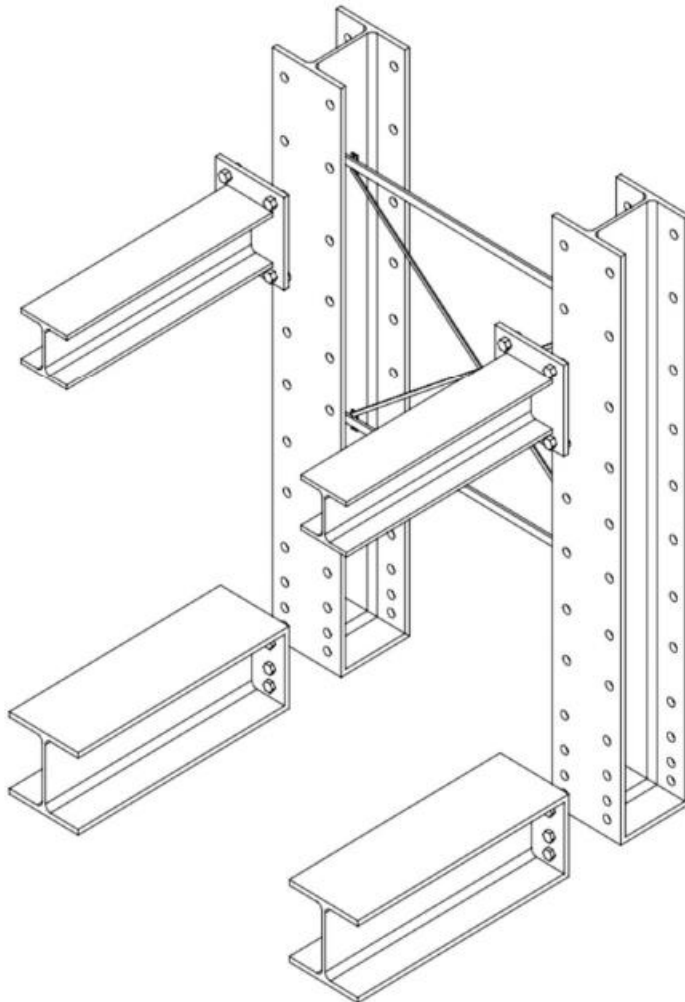
Greensboro, NC 27407

336-294-2346



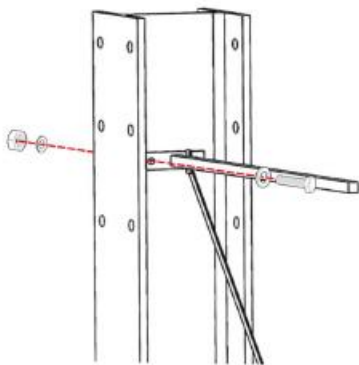
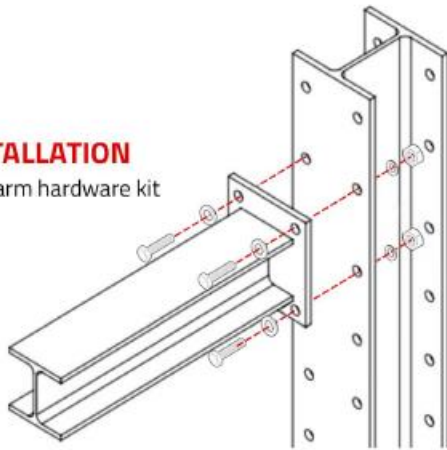
## Structural Cantilever Assembly Guide

---



### ARM INSTALLATION

Requires (1) arm hardware kit

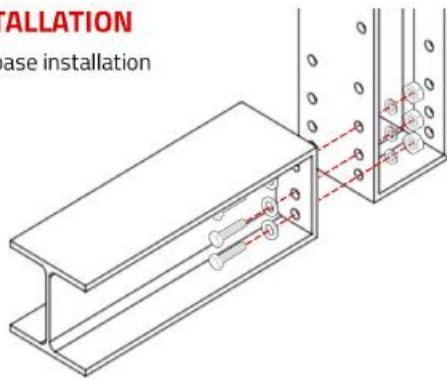


### HORIZONTAL BRACE

Requires (1) horizontal brace installation hardware kit

### BASE INSTALLATION

Requires (1) base installation hardware kit



#### ARM KIT

- (4) BOLT 3/4
- (4) HEXNUT 3/4
- (4) FLAT 3/4
- (4) WASHER 3/4

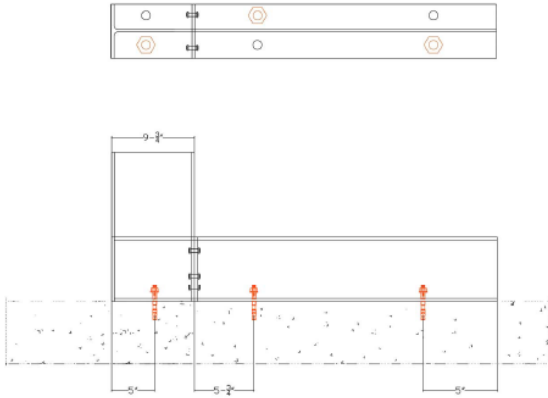
#### HORIZONTAL BRACE KIT

- (4) BOLT 1/2
- (4) HEXNUT 1/2
- (4) FLAT 1/2
- (4) WASHER 1/2

#### BASE KIT

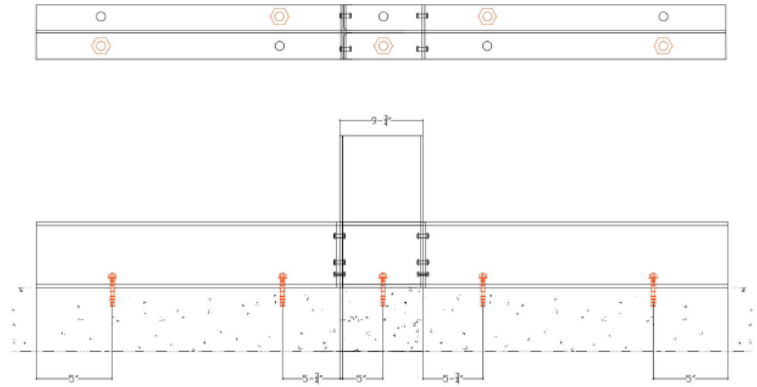
- (6) BOLT 3/4
- (6) HEXNUT 3/4
- (6) FLAT 3/4
- (6) WASHER 3/4

### Single Sided



REQUIRES 3 WEDGE ANCHORS 5/8" x 5"

### Double Sided



REQUIRES 5 WEDGE ANCHORS 5/8" x 5"

## Cantilever Brace Distribution Diagram

